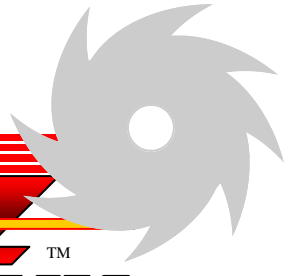


**THE ORIGINAL<sup>TM</sup>**  
**SAW COMPANY**

[www.originalsaw.com](http://www.originalsaw.com)



# Woodworking

Equipment for the  
Secondary wood processing market:  
Cabinet production, construction, packaging,  
prefab house manufacturing, industries

## Super Duty Series 22" / 550mm Radial Arm Saw

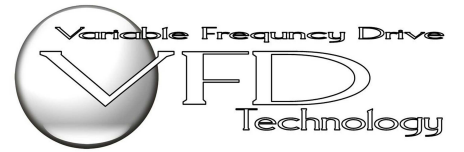
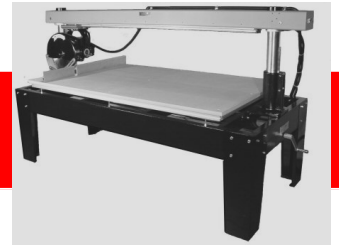


465 Third Ave SE | Britt, Iowa | 50423

800/733-4063 | 641/843-3868

[www.originalsaw.com](http://www.originalsaw.com)





Model 3559 Ty 9 Shown



# 22" Super Duty Series Release Type 9



Manual Chain Carriage Feed Standard on 22" machines

The new release Type 9 version of the 22" Super Duty improves on a very stable cutting platform. The new release now uses a Variable Frequency Drive to power the arbor motor. This 22" Super Duty Series has a blade capacity of 22" and a cutting capacity of 8" deep in a single pass. This series differs from the standard Super Duty series by the addition of a variable frequency drive, and a manual chain carriage feed attachment. Another difference is the lack of a yoke clamp handle, as these machines do not have the ability to swivel into a rip position. All other operations are the same as the standard series. These machines are also capable of operation in an industrial environment operating in a 2—3 shift per day atmosphere. They are found in log home manufacturing facilities, manufacturing plants, anywhere large material or a large volume of pieces at a time are needing to be cut, bevel cut, or miter cut.

These massive 950 pound machines are constructed of cast and ductile iron for smooth, vibration free operation. The entire Super Duty Series is better than ever with its improved finish, more durable powder coated castings and heavy steel frame. This machine, coupled with our new release power carriage feed accessories, make the machine a semi-automatic platform capable of a wide variety of production cutting operations.



Electronics Enclosure housing the variable frequency drive system



Standard "up front" mounted start/stop station

## Optional Accessories

- Electronic Power Carriage Feed system
- Manual Adjustable back fence measuring systems
- Material Handling extension roller tables
- Material Handling flat extension tables
- Pneumatic material clamping tables
- Dust Collection Hoods

## Specifications

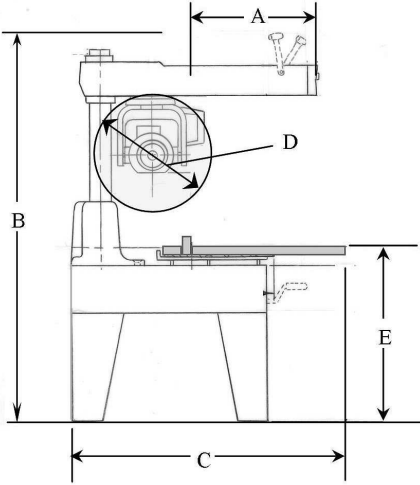
MODEL:	3554	3559
Arm	Medium	Long
Blade Size	22"/550mm	22"/550mm
<b>MOTOR: ALL MOTORS TOTALLY ENCLOSED FAN COOLED</b>		
HP	7.5	7.5
Phase	3	3
Hertz	50/60	50/60
Volts *	230/460*	230/460*
Amp (FLA)	19 / 9.5	19 / 9.5
Watts	5.6	5.6
Brake	auto - electronic VFD	auto - electronic VFD
Arbor (diameter x length)	1" x 1 3/8"	1" x 1 3/8"
<b>CAPACITIES: inches / metric</b>		
Maximum Out-Rip	no ripping	no ripping
Max Cross Cut 1" Stock	23" / 584mm	31" / 787mm
Max Miter 45o 1" Stock	16" / 406mm	21 5/8" / 549mm
Max Depth of Cut	8" / 203mm	8" / 203mm

## Type 9 Upgrades:

- Variable Frequency Drive on arbor motor
- Up to 90% lower amp inrush at startup and shut down
- New re-moveable door type upper guard.

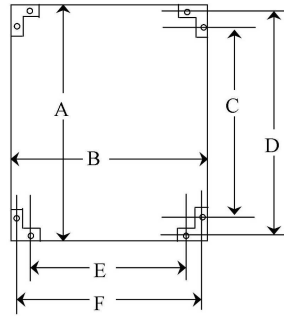
# Dimensions

## Super Duty Series



Index #	A	B	C	D	E
<b>Model#</b>					
3551	24" / 609mm	64" / 1626mm	51" / 1296mm	16" / 400mm	33" / 839mm
3556	32" / 813mm	64" / 1626mm	59" / 1500mm	16" / 400mm	33" / 839mm
3571	24" / 609mm	64" / 1626mm	51" / 1296mm	16" / 400mm	33" / 839mm
3576	32" / 813mm	64" / 1626mm	59" / 1500mm	16" / 400mm	33" / 839mm
3553	24" / 609mm	64" / 1626mm	51" / 1296mm	20" / 500mm	33" / 839mm
3558	32" / 813mm	64" / 1626mm	59" / 1500mm	20" / 500mm	33" / 839mm
3554	23" / 584mm	64" / 1626mm	51" / 1296mm	20" / 500mm	33" / 839mm
3559	31" / 787mm	64" / 1626mm	59" / 1500mm	20" / 500mm	33" / 839mm

Index	Dimensions
A	48" / 1220mm
B	36" / 915mm
C	36.25" / 921mm
D	46.5" / 1182mm
E	24.25" / 616mm
F	34.5" / 877mm



**OSC**  
ORIGINAL SAW COMPANY™



465 Third Ave SE | Britt, Iowa | 50423

800/733-4063 | 641/843-3868

[www.originalsaw.com](http://www.originalsaw.com)